

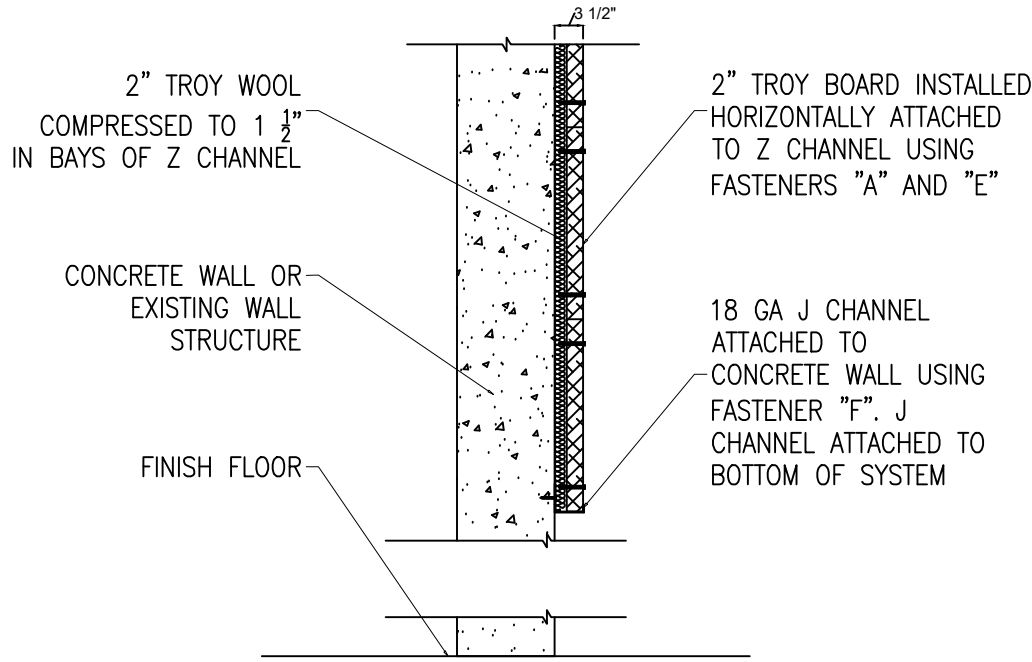


Sports Facility Wall Install Procedure (Troy Board HORIZONTAL finish)

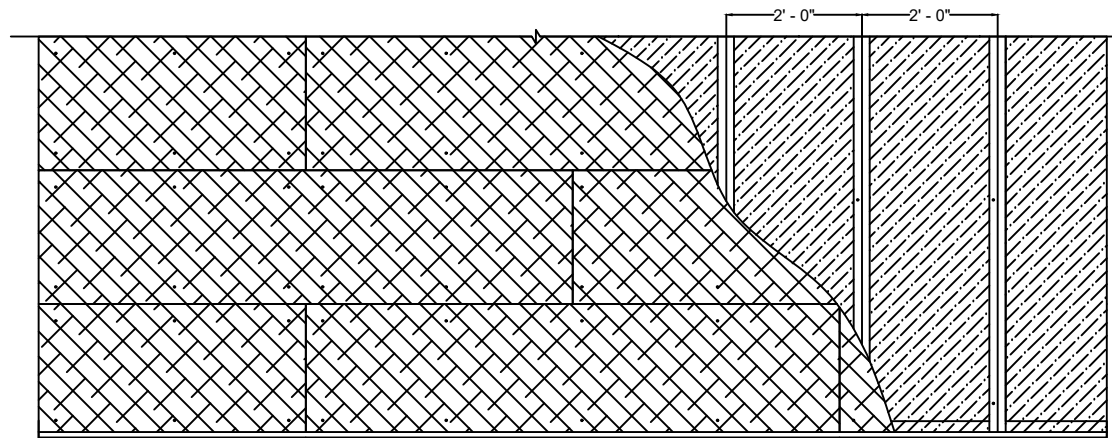
*J Channel MUST be installed before Z Channel for Troy Board attachment.

*If Wood Furring will be used in lieu of Z Channel, fastener "C" must be used instead of fastener "A"

- Starting from back of facility, lay out for J Channel will run horizontally to finish floor using fastener "G". See Metal Detail page for spacing and attachment. Z Channel will run perpendicular to J Channel. Spacing is 2'-0" O.C. Begin layout at start of treatment for first Z Channel using fastener "G" for attachment, then follow spacing of 2'-0" O.C. Attachment of J Channel and Z Channel to wall is per detail provided.
- Once all J Channel and Z Channel has been attached, use a spray adhesive (3M-90 or equal) to secure 2" Troy Wool to wall surface fitting tight in between each channeling. The spray adhesive is to hold the Troy Wool in place until the Troy Board material is attached. Use a 10" serrated knife to cut the Troy Wool if cuts are required. Cover entire designated surface with Troy Wool.
- Start layout of 2" Troy Board perpendicular to Z Channel. The first row will start with the 23 5/8" side parallel to Z Channel and the 94 3/8" side parallel to the J Channel. The board must sit flush against the Z Channel and the top side MUST BE LEVEL. DO NOT RELY ON FLOOR TO BE LEVEL. All cuts will be on floor side, thus leaving factory side edge for second row to sit upon. DO NOT INSTALL CUT SIDE UP. The install of board will continue in a running bond brick pattern. Cover entire designated surface with Troy Board.
- Using the supplied fasteners "A" and "E", attach Troy Board to Z Channel every 3" from all edges and side. Field placement is at every furring element in a straight line. There are typically 10 fasteners per Troy Board. Troy Board is a finish acoustic material. Make sure joints are tight. Troy Board is to be installed without edges damaged. Troy Board may be cut using a circular saw, hand saw, or reciprocating saw type. The Troy Board is manufactured with Portland cement; thereby dust will be created when using a circular saw.



1 WALL SECTION
A - 1 NOT TO SCALE



FASTENERS

A 1/4" X 3" SELF TAPPING HEX HEAD SCREW USED TO FASTEN 2" BOARD TO Z CHANNEL



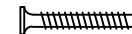
C 1/4" X 3" LAG SCREW USED TO FASTEN 2" BOARD TO WOOD FURRING



E 1/4" X 1/2" FLAT WASHER USED IN COORDINATION WITH FASTENER "A" TO FASTEN 2" BOARD TO Z CHANNEL



G 1/4" X 1 1/2" TAPCON USED TO FASTEN J CHANNEL AND Z CHANNEL TO CONCRETE WALL STRUCTURE



SPORTS FACILITY WALL DETAIL

REVISIONS:

DRAWN BY: TCB
DATE: 7-20-22
SCALE: AS NOTED

WALL DETAIL

SHEET #

A-1