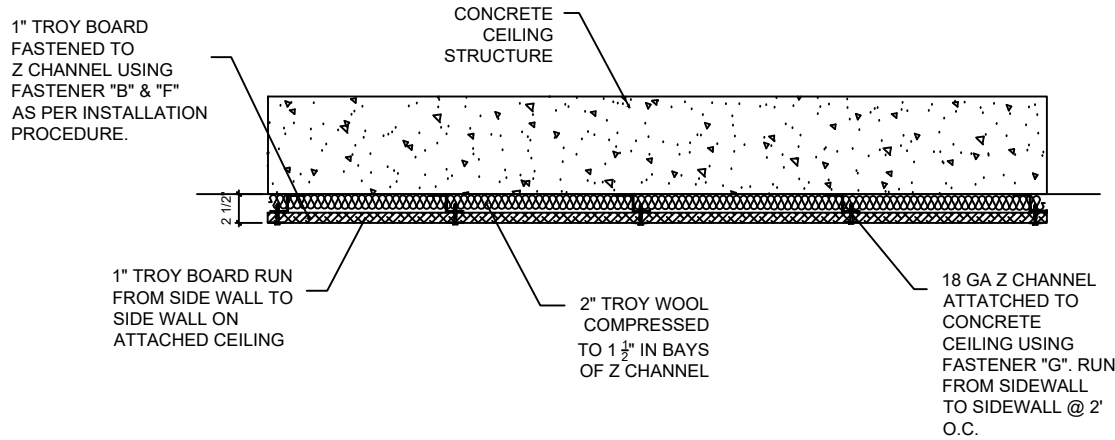




Direct Attached Ceiling Install Procedure (With Z Channel supplied by Troy Acoustics)

*If Wood Furring will be used in lieu of Z Channel, fastener "D" must be used instead of fastener "B"

1. Z Channel to be secured to concrete ceiling structure using fastener "G".
2. Once all Z Channel has been attached, use a spray adhesive (3M-90 or equal) to secure 2" Troy Wool to underside of ceiling surface fitting tight in between each channeling. The spray adhesive is to hold the Troy Wool in place until the Troy Board material is attached. Use a 10" serrated knife to cut the Troy Wool if cuts are required. Cover entire designated surface with Troy Wool.
3. Start layout of 1" Troy Board perpendicular to Z Channel. Start at the front of the ceiling with the 23 ³/₈" side parallel to Z Channel. The board must sit flush against the Z Channel and the front side MUST BE LEVEL. Cover entire designated surface with Troy Board.
4. Using the supplied fasteners "B" and "F", attach Troy Board to Z Channel every 3" from all edges and side. Field placement is at every furring element in a straight line. There are typically 10 fasteners per Troy Board. Troy Board is a finish acoustic material. Make sure joints are tight. Troy Board is to be installed without edges damaged. Troy Board may be cut using a circular saw, hand saw, or reciprocating saw type. The Troy Board is manufactured with Portland cement; thereby dust will be created when using a circular saw.



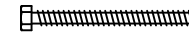
1 ATTACHED CEILING DETAIL
(SIDE VIEW)
A - 2 NTS

FASTENERS

B $\frac{1}{4}$ " X 2" SELF TAPPING HEX HEAD SCREW USED TO FASTEN 1" BOARD TO Z CHANNEL



D $\frac{3}{4}$ " X 2" LAG SCREW USED TO FASTEN 1" BOARD TO WOOD FURRING



F $\frac{1}{4}$ " X 1 $\frac{1}{2}$ " FENDER WASHER USED IN COORDINATION WITH FASTENER "B" TO FASTEN 1" BOARD TO Z CHANNEL



G $\frac{3}{8}$ " X 1 $\frac{1}{2}$ " TAPCON USED TO FASTEN Z CHANNEL TO CONCRETE CEILING STRUCTURE



EQUIPMENT ENCLOSURE ATTACHED CEILING
DETAIL

REVISIONS:

DRAWN BY: TCB
DATE: 7-20-22
SCALE: AS NOTED

CEILING
DETAIL

SHEET #
A - 2